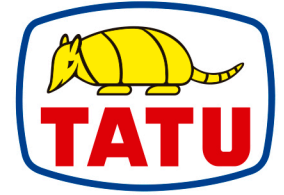


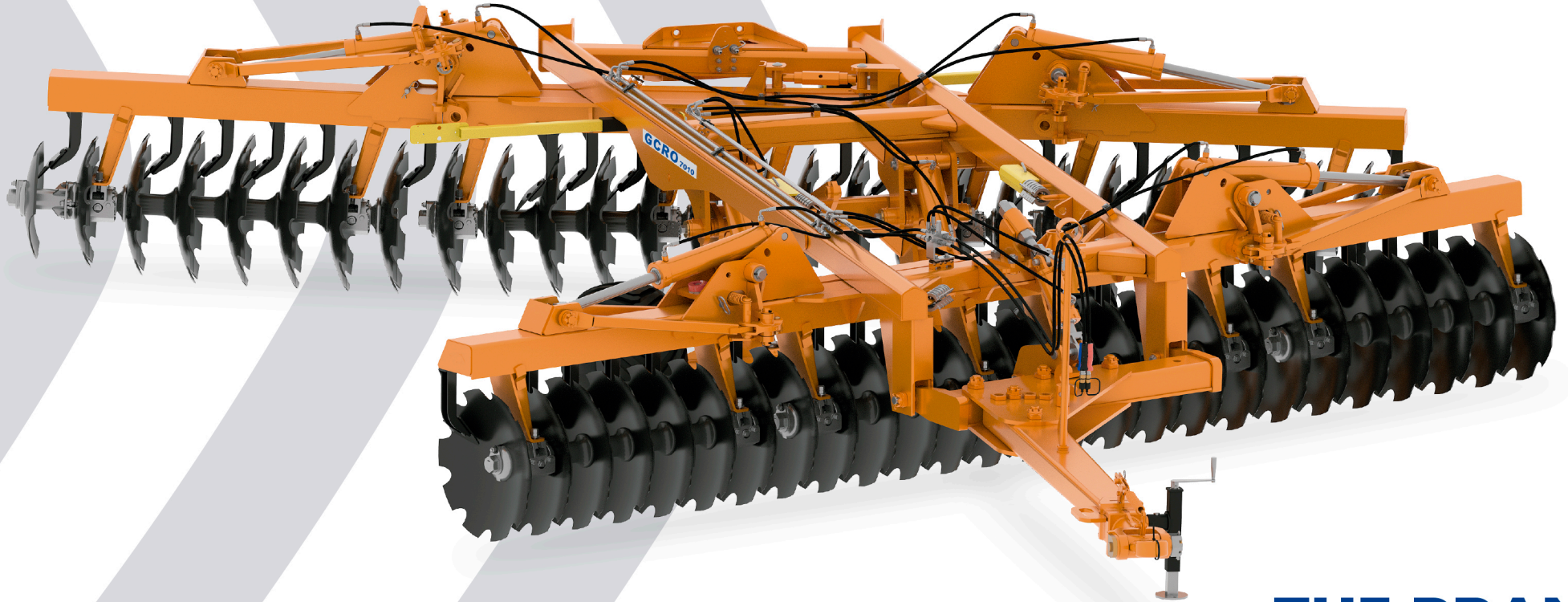
GCRO 7010

SEMI STUBBLE WHEELOFFSET DISK HARROW

READY TO CONQUER THE TOUGHEST CHALLENGES



MARCHESAN



**THE BRAND
OF THE LAND**

MASTERING FIELDS: TATU MARCHESAN'S CUTTING-EDGE MODEL 7010 GCRO

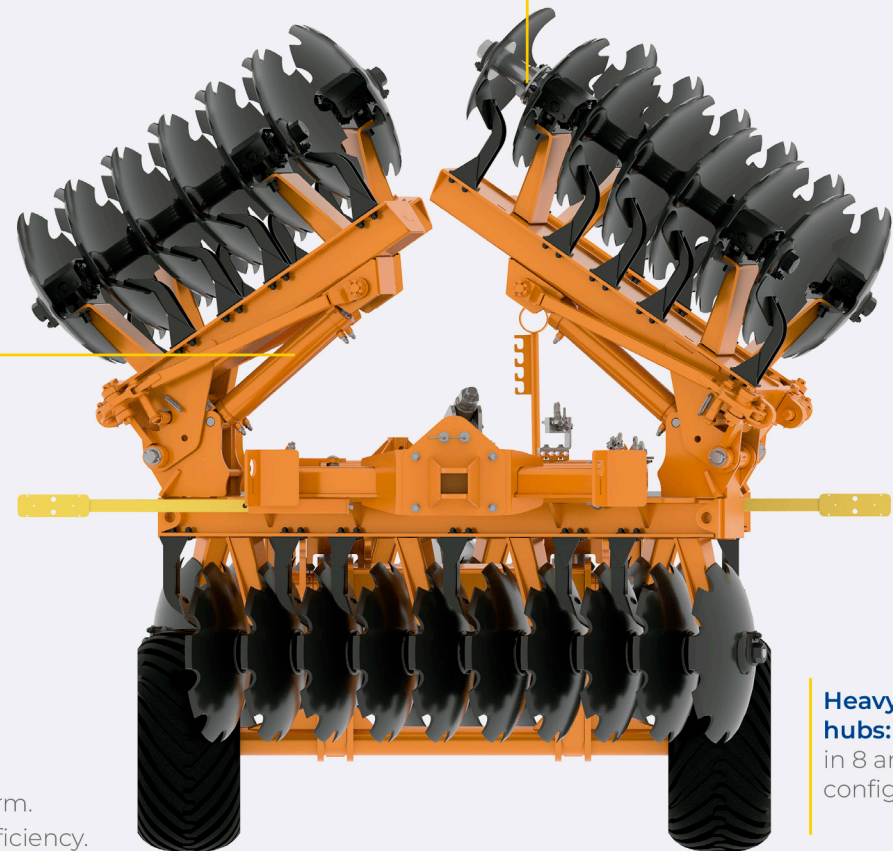
Introducing the Model **7010 GCRO** by Tatu Marchesan, an innovative offset disk harrow with folding wings, designed to maximize flexibility and weight distribution without compromising its rugged, high-performance build. Tailored for large-acreage farm operations, this powerhouse excels at soil leveling, clod-breaking, and seamless incorporation of crop residue. Engineered with precision in mind, every pass across your fields guarantees exceptional results.

STANDARD FEATURES:

- 1.5/8" (41.3 mm), 1.3/4" (44.45 mm) or 2.1/8" (54 mm) round heat treated alloy steel gang axles;
- Cast iron spacer spools;
- Drawbar jackstand and safety chain;
- Bolt on heavy duty bearing wear plates;
- Quick adjustable swing tongue;
- Rear hook for leveling bar;
- Adjustable gang axles of 18, 20 and 22 degrees;
- Heavy duty adjustable disc blade scrapers;
- Rear mounted hitch with hydraulic outlet;
- Heat treated boron steel disc blades, notched front and rear;
- Wing fold models include hydraulic folding cylinders, hoses and fittings;
- Heavy duty wheel hubs .

Folding Wings: The disc section folding system allows for a narrower equipment transport width. It comes equipped with a safety pin for secure transportation and a locking mechanism during operation.

Hydraulic Cylinder Control:
The group includes two hydraulic cylinders, hoses, ram stops for depth control and a transport lock.

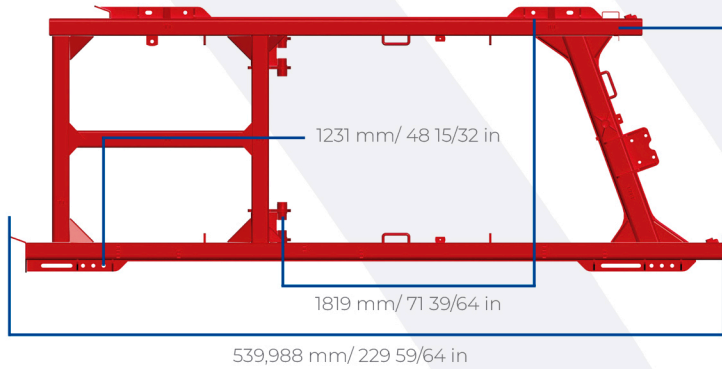


Ruggedly Built Tatu Swivel Oil Bath Bearing Provides:

- Low costs of disk harrow operation and maintenance;
- Reduced tractor power requirements;
- Lower fuel consumption per acre;
- Substantial longer life of tapered roller bearings, O'Ring and metallic rings.
- Exclusively manufactured by TATU Marchesan;

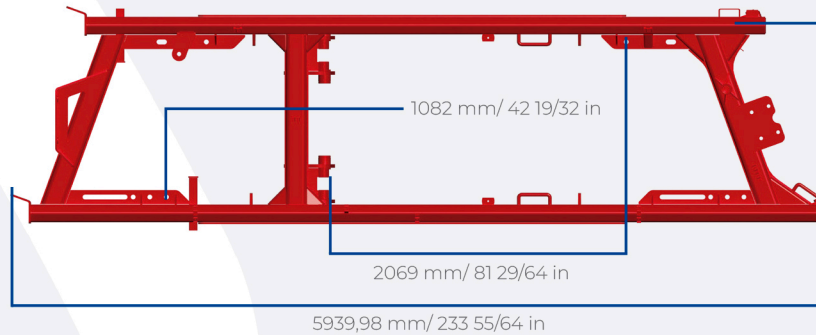
Its innovative folding wings ensure unparalleled adaptability, effortlessly navigating both tight corners and expansive terrain. Crafted for longevity and ease of use, the Model 7010 GCRO minimizes downtime while maximizing productivity, ready to conquer the toughest challenges season after season. More than just a disk harrow, it represents the future of farming - a legacy of excellence and innovation that will transform your farm. Elevate your farming experience with Tatu Marchesan and step into a new era of efficiency.

Heavy - duty wheel hubs: Available in 8 and 10 - hole configurations.



1 7010 Standard Frame

The 7010 standard model features a specially designed frame to accommodate all transport widths. For models with widths of 52, 56, and 60 discs, the transport width is 15'11" (4855 mm). This model is designed for larger acre farms where frequent movement between different areas is not required.



2 7010 Narrow Folding Frame

The narrow model features a specially designed frame to allow for a transport width of 11' 6" (3550 mm) for the 40 and 44 disc models, and 14'5" (4400 mm) for the 48, 52, and 56 disc models. This reduced width facilitates and expedites field transportation.

TECHNICAL SPECIFICATIONS:

Model	Number of Disc Blades	Transport width		Tractor Required (hp)	Cutting width		Net Weight		Dimensions of Disc blades	
		ft.in	mm		ft.in	mm	Lbs	Kg	Dimensions	Spacing
GCRO 7010 Non Folding	28	-	-	230 - 240	11' 9"	3,620	10602	4,809	26" x 7,5 mm	270 mm
	32	-	-	240 - 250	13' 5"	4,120	11440	5,189		
	36	-	-	250 - 260	15' 2"	4,625	11984	5,436		
	40	-	-	260 - 270	16' 8"	5,135	12528	5,683		
	44	-	-	270 - 280	18' 5"	5,645	13536	6,140		
GCRO 7010 Folding Wings	48	-	-	280 - 300	20' 2"	6,150	14059	6,377	28" x 7,5 mm	10.5/8"
	40	11' 9"	3,580	260 - 270	17' 5"	5,302	15406	6,988*	30" x 7,5 mm	
	44	11' 8"	3,550	270 - 280	18' 8"	5,530	15119	6,858**	30" x 9,0 mm	
	48	14' 4"	4,380	280 - 300	20' 2"	6,160	17923	8,130		
	52	16' 1"	4,910	320 - 340	22' 1"	6,730	18690	8,478		
GCRO 7010 Folding Wing Frame	56	16' 1"	4,910	340 - 360	23' 9"	7,240	18774	8,516		
	60	16' 1"	4,910	360 - 380	25' 6"	7,772	19659	8,917		
	72	21' 0"	6,425	420 - 450	31' 3"	9,540	32362	14,679***	28" x 7,5 mm	
	76	21' 0"	6,425	450 - 480	33' 0"	10,065	32778	14,868***	30" x 7,5 mm	
	80	21' 0"	6,425	480 - 510	34' 3"	10,445	33585	15,234***		

Weights with Ø 30" x 7,5 mm disc blades, hydraulic system and DMO bearings.
 *Weights with Ø 30" x 7,5 mm disc blades, mechanical system and DMO bearings.
 **Weights with Ø 28" x 7,5 mm disc blades, hydraulic system and DMO bearings.
 ***Weights with Ø 30" x 7,5 mm disc blades and DM bearings.

***IMPORTANT:** RECOMMENDED HORSEPOWER MAY VARY DEPENDING ON SOIL CONDITIONS SUCH AS COMPACTION LEVEL, MOISTURE CONTENT, SOIL TYPE, TERRAIN, AND OTHER RELATED FACTORS.



**MARCHESAN IMPLEMENTOS E MÁQUINAS AGRÍCOLAS
TATU S.A.**

CNPJ.: 52.311.289/0001-63 | Inscr. Est.: 441.000.151.114

19,79, Marchesan Ave | ZIP CODE 15994-900

Phone: +55 (16) 3382.8282 | Matão - SP - Brazil

www.tatu.ag



MARCHESAN S.A. reserves the right to improve or change the characteristics of its products, without the obligation to do so with those already marketed and without prior notice.
Photos and drawings are for illustrative purposes only. Rev. 03 - 02/2026



PROTECT THE ENVIRONMENT. WHEN DISPOSING THIS BROCHURE, DO NOT THROW IT ON PUBLIC ROADS.